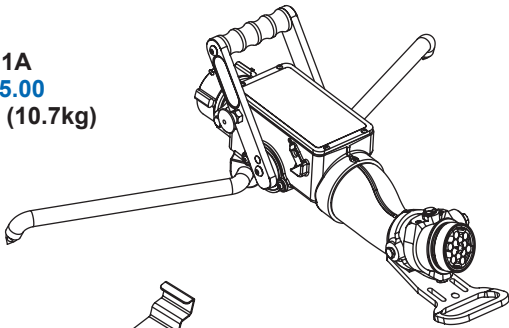


## Portable Monitor with Safety Shut-Off Valve

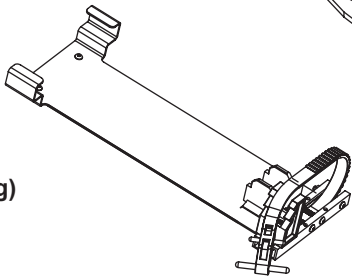
The Task Force Tips' Blitzfire is a simple, light, and highly maneuverable attack monitor. The Blitzfire's low elevation angle makes it suitable for use indoors. It can go anywhere a handline goes while delivering much more water. If the Blitzfire starts to slide or lift, the SAFETY SHUT-OFF VALVE automatically shuts off the flow of water. This patented safety feature reduces the risk of injury from an out-of-control appliance. The shut-off action slows near stroke end to eliminate water hammer. To reset the flow, simply open the valve to any of six detent flow positions with the turbulence-free slide valve. The Blitzfire's discharge pivots make directing the stream extremely quick and effortless. Outlet has built-in stream shaper. A unique up/down pivot on the hose inlet allows the monitor to have stability even on porches, stair landings or the like. An anchor strap is included for safe operation on slick surfaces like marble floors. The main body is hardcoat anodized aluminum with a blue TFT powder coat finish inside and out. Patents Pending.

**XX111A**  
**\$2885.00**  
 22 lb (10.7kg)



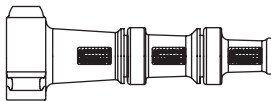
**BLITZFIRE MONITOR** Flow range up to 500 gpm (2000 l/min). The monitor features low friction inlet and outlet pivots. Outlet has built-in stream shaper. Elevation is manually adjustable between 10 and 50 degrees above horizontal. Horizontal rotation is manually adjustable 20 degrees either side of center. The SAFETY SHUT-OFF VALVE will shut off flow if monitor slides or lifts. It has six detent flow positions with a patented turbulence free slide valve for operator flow control. When the legs are folded, the carbide tips point up for carrying safety. The heavy-duty carbide tipped legs are easily folded out to a wide deployed stance. Stowed in storage bracket overall size is 29.5"L x 8.1"W x 8.5"H (74.9 x 20.6 x 21.6 cm). Standard inlet is 2.5" NH (65mm) rocker lug swivel coupling. Standard outlet is 2.5" NH (65mm) rigid male threads.

**XX-B**  
**\$165.00**  
 3.4 lb (1.5kg)



**STORAGE BRACKET BLITZFIRE** This stainless steel and hard coat aluminum storage bracket can be mounted for rapid deployment of a pre-connected Blitzfire. Mount on any accessible vertical or horizontal surface. Comes complete with mounting screws. 20"L x 8.5"W x 2"H (50.8 x 21.6 x 5.1cm)

**MST-3NJ**  
**\$375.00**  
 2.3 lb (1.0kg)  
 11.8" (3.0cm)

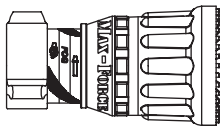


**3 STACKED TIPS** Hardcoat anodized aluminum alloy for maximum corrosion protection. Flow charts for each tip are lasered. Tip sizes are 1.5", 1.25", and 1.0" (38, 32 and 25mm) diameter. Small tips may be removed for break and extend operations with a 1.5" NH (38mm) hose thread. Standard swivel inlet is 2.5" NH (65mm).

## MAX-SERIES NOZZLES

### MAX-FORCE

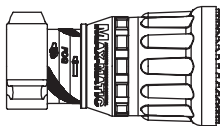
**MD12A**  
**\$980.00**  
 6.7 lb (3.0kg)  
 9.0" (22.9cm)



**MD12A MAX-FORCE DUAL PRESSURE AUTOMATIC TIP** 2.5" NH (65mm) - with a flow capacity of 100-500 gpm (400-2000 l/min). The nozzle may be switched between standard 100 psi (7 bar) and a low pressure mode 55 psi (4bar) by twisting a knob on the front of the nozzle. The pattern adjusts from straight stream to a 120 degree wide fog. Further rotation opens the tip to flush 3/8" (10mm) debris without shutting down. Hardcoat anodized aluminum with rubber bumper. Standard inlet is 2.5"NH (65 mm) rocker lug swivel.

### MAX-MATIC

**MD18A**  
**MD17A**  
**\$925.00**  
 6.5 lb (2.9kg)  
 9.0" (22.9cm)

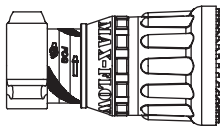


**MD18A MAX-MATIC 100 PSI AUTOMATIC TIP** 2.5" NH (65mm) - Automatic pressure control with a flow capacity of 100-500 gpm (400-2000 l/min). The nozzle operates at a standard 100 psi (7 bar). The pattern adjusts from straight stream to a 120 degree wide fog. Further rotation opens the nozzle to flush 3/8" (10mm) debris without shutting down. Hardcoat anodized aluminum with rubber bumper. Standard inlet is 2.5" NH (65mm) rocker lug swivel.

**MD17A MAX-MATIC 80 PSI - LOW PRESSURE VERSION** – Same as MD18A above, but operates at a low pressure of approximately 80 psi (6 bar).

### MAX-FLOW

**MD14A**  
**\$925.00**  
 6.5 lb (2.9kg)  
 9.0" (22.9cm)



**MD14A MAX-FLOW 500 GPM FIXED GALLONAGE** - (2000 l/min) The fixed orifice tip is ideal for high rise attack when pressure fluctuations can be extreme. The nozzle will operate with pressures as low as 30 psi (2bar). The pattern adjusts from straight stream to a 120 degree wide fog. Further rotation opens the nozzle to flush 3/8" (10 mm) debris without shutting down. Hardcoat anodized aluminum with rubber bumper. Standard inlet is 2.5"NH (65 mm) rocker lug swivel.

