

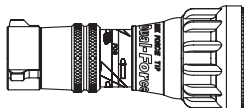
1.5" (38mm) DUAL FORCE SERIES

95-300 GPM (360-1150 l/min) or
95-250 GPM (360-950 l/min) low pressure

Dual Pressure Automatic

A TFT Handline is all conventional handline sizes in one. The wide flow range of 95-300 gpm (360-1150 l/min) allows the Handline to be used on many hose sizes, and this series is an excellent choice for 1.5", 1.75", and 2.0" (38mm, 45mm and 52mm) attack lines. The Handline features flush without shutdown, molded rubber bumper with "power fog" teeth, TFT's patented stainless steel slide valve, and optional colored pistol grip and handle covers. All TFT Handlines accept the FJ-H low-expansion or the FJ-HMX multi-expansion foam attachments.

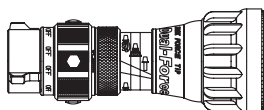
HD-TO
HD-TO-IF
HDL-TO
HDL-TO-IF
4.4 lb (2.0kg)
9-3/4" (23.8cm)



HD-TO DUAL-FORCE TIP 1.5" NH (38mm) - Automatic pressure control with a flow capacity of 95-300 gpm (360-1150 l/min). Includes pressure-assisted flush without shutting down, molded rubber teeth for full-fill "power fog", "Gasket Grabber", and turbulence-free flow control. Lightweight hardcoat anodized aluminum materials for maximum resistance to corrosion and wear. 1.5" NH (38mm) rigid rocker lug coupling is standard. Tip does not shut off and must be used with a separate valve or valved playpipe. Nozzle may be switched between standard 100 psi (7 bar) and low pressure.

HDL-TO LOW PRESSURE VERSION. Same as HD-TO above, but operates at a lower pressure of approximately 75 psi (5 bar) / 45 psi (3 bar). Flow capacity 95-250 gpm (360-950 l/min) @ 75 psi.
-IF = 1.5" NPSH Threads

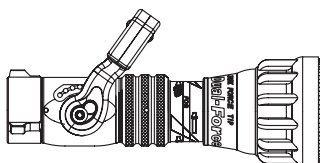
HD-STO
HD-STO-IF
HDL-STO
HDL-STO-IF
5.3 lb (2.4kg)
11" (28cm)



HD-STO DUAL-FORCE TIP/TWIST-OFF 1.5" NH (38mm) - Automatic pressure control with a flow capacity of 95-300 gpm (360-1150 l/min). Includes pressure-assisted flush without shutting down, molded rubber teeth for full-fill "power fog", "Gasket Grabber" and twist slide-type valve for turbulence-free flow control. May be used with a separate valve or playpipe. Ideal for break-and-extend operations. Lightweight hardcoat anodized aluminum materials for maximum resistance to corrosion and wear. 1.5" NH (38mm) rigid rocker lug coupling is standard. Nozzle may be switched between standard 100 psi (7 bar) and low pressure.

HDL-STO LOW PRESSURE VERSION. Same as HD-STO above, but operates at a lower pressure of approximately 75 psi (5 bar) / 45 psi (3 bar). Flow capacity 95-250 gpm (360-950 l/min) @ 75 psi.
-IF = 1.5" NPSH Threads

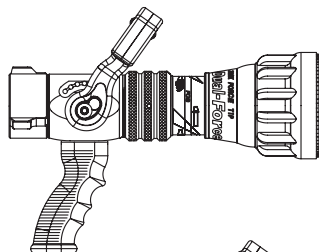
HD-V
HD-V-IF
HDL-V
HDL-V-IF
6.6 lb (3.0kg)
13" (38cm)



HD-V DUAL-FORCE NOZZLE 1.5" NH (38mm) - Automatic pressure control with a flow capacity of 95-300 gpm (360-1150 l/min). Includes pressure-assisted flush without shutting down, patented slide-type valve for turbulence-free flow control, six detent flow positions, molded rubber teeth for full-fill "power fog", and "Gasket Grabber" inlet screen. Lightweight hardcoat anodized aluminum materials for maximum resistance to corrosion and wear. 1.5" NH (38mm) rocker lug full-time swivel coupling is standard. Nozzle may be switched between standard 100 psi (7 bar) and low pressure.

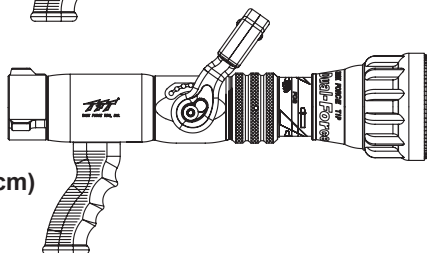
HDL-V LOW PRESSURE VERSION. Same as HD-V above, but operates at a lower pressure of approximately 75 psi (5 bar) / 45 psi (3 bar). Flow capacity 95-250 gpm (360-950 l/min) @ 75 psi.
-IF = 1.5" NPSH Threads

HD-VPGI
HD-VPGI-IF
HDL-VPGI
HDL-VPGI-IF
7.0 lb (3.2kg)
13" (33cm)



HD-VPGI or HD-VPG DUAL-FORCE W/GRIP 1.5" NH (38mm) - Automatic pressure control with a flow capacity of 95-300 gpm (360-1150 l/min). Includes pressure-assisted flush without shutting down, patented slide-type valve for turbulence-free operator flow control, six detent flow positions, molded rubber teeth for full-fill "power fog", and "Gasket Grabber" inlet screen. Pistol grip is mounted below the valve (HD-VPGI), or behind the valve (HD-VPG). Lightweight hardcoat anodized materials for maximum resistance to corrosion and wear. 1.5" NH (38mm) rocker lug full-time swivel coupling is standard. Nozzle may be switched between standard 100 psi (7 bar) and low pressure.



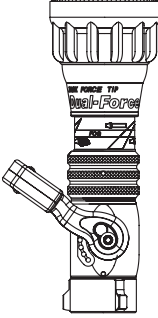
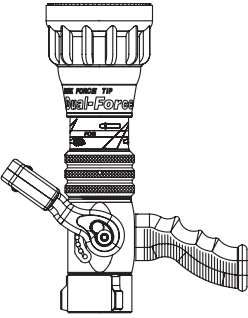
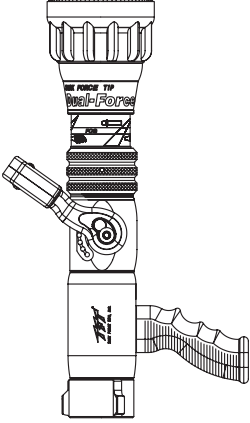
HD-VPG
HD-VPG-IF
HDL-VPG
HDL-VPG-IF
8.7 lb (3.9kg)
17-1/8" (43.5cm)



HDL-VPGI or HD-VPG LOW PRESSURE VERSION. Same as HD-VPGI or HD-VPG above, but operates at a lower pressure of approximately 75 psi (5 bar) / 45 psi (3 bar). Flow capacity 95-250 gpm (360-950 l/min) @ 75 psi.
-IF = 1.5" NPSH Threads

1.5" (38mm) DUAL FORCE SERIES
 95-300 GPM (360-1160 l/min)
 95-250 GPM (360-960 l/min) low pressure

FoamJet Models for Handline Series
 FJ-H & FJ-HMX

<p>1.5" Dual Pressure Automatic Nozzles</p>	 <p>Nozzle Tip Only</p>	 <p>Nozzle Tip Only w/Twist Shutoff</p>	 <p>Nozzle w/ Shutoff</p>	 <p>Nozzle w/Shutoff & Pistol Grip</p>	 <p>Nozzle w/Shutoff, Pistol Grip & Extended Body</p>
<p>100/55 psi NH Threads</p>	<p>HD-TO</p>	<p>HD-STO</p>	<p>HD-V</p>	<p>HD-VPGI</p>	<p>HD -VPG</p>
<p>100/55 psi NPSH Threads</p>	<p>HD-TO-IF</p>	<p>HD-STO-IF</p>	<p>HD-V-IF</p>	<p>HD-VPGI-IF</p>	<p>HD-VPG-IF</p>
<p>75/45 psi NH Threads</p>	<p>HDL-TO</p>	<p>HDL-STO</p>	<p>HDL-V</p>	<p>HDL-VPGI</p>	<p>HDL-VPG</p>
<p>75/45 psi NPSH Threads</p>	<p>HDL-TO-IF</p>	<p>HDL-STO-IF</p>	<p>HDL-V-IF</p>	<p>HDL-VPGI-IF</p>	<p>HDL-VPG-IF</p>

2.5" (65mm) DUAL FORCE SERIES

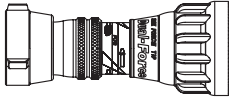
95-300 GPM (360-1150 l/min) or
95-250 GPM (360-950 l/min) low pressure

Dual Pressure Automatic

A TFT Dual-Force is all conventional handline sizes in one. The wide flow range of 95-300 gpm (360-1150 l/min) allows the nozzle to be used on 2.5" and 3" (65 & 75mm) attack lines. The Dual-Force features flush without shutting down, molded rubber bumper with "power fog" teeth, TFT's patented stainless steel slide valve, the unique low pressure override which allows the nozzle to achieve greater flows at lower nozzle pressures, and an optional color-coded pistol grip, handle covers or rubber coated playpipe handles. All TFT Handlines accept the FJ-H low-expansion or the FJ-HMX multi-expansion foam attachments.

In the standard mode, the Dual-Force Nozzle maintains a 100 psi / 7 bar operating nozzle pressure (75 psi / 5 bar on low pressure version) and meets the NFPA #1964 flow requirements for automatic nozzles. With a twist of the knob on the front of the nozzle, you can switch the Dual-Force to the low-pressure mode, which immediately reduces the nozzle's operating pressure to around 55 psi / 4 bar (45 psi / 3 bar in low pressure version)..

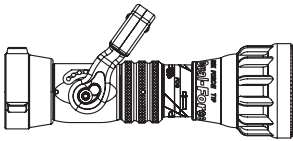
HD-2TO
HD-2TO-IJ
HDL-2TO
HDL-2TO-IJ
3.5 lb (1.6kg)
10-1/2" (26.7cm)



HD-2TO DUAL-FORCE TIP 2.5" NH (65mm) - Automatic pressure control with a flow capacity of 95-300 gpm (360-1150 l/min). Includes pressure-assisted flush without shutting down, molded rubber teeth for full-fill "power fog", "Gasket Grabber", and turbulence-free flow control. Lightweight hardcoat anodized aluminum materials for maximum resistance to corrosion and wear. 2.5" NH (65mm) rigid rocker lug coupling is standard. Tip does not shut off and must be used with a separate valve or valved playpipe. Nozzle may be switched between standard 100 psi (7 bar) and low pressure.

HDL-2TO LOW PRESSURE VERSION. Same as HD-2TO above, but operates at a lower pressure of approximately 75 psi (5 bar) / 45 psi (3bar). Flow capacity 95-250 gpm (360-950 l/min) @ 75 psi.
-IJ = 2.5" NPSH Threads

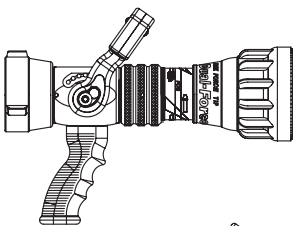
HD-2V
HD-2V-IJ
HDL-2V
HDL-2V-IJ
7.4 lb (3.4kg)
13-1/2" (34.3cm)



HD-2V DUAL-FORCE NOZZLE 2.5" NH (65mm) - Automatic pressure control with a flow capacity of 95-300 gpm (360-1150 l/min). Includes pressure-assisted flush without shutting down, patented slide-type valve for turbulence-free flow control, six detent flow positions, molded rubber teeth for full-fill "power fog", and "Gasket Grabber" inlet screen. Lightweight hardcoat anodized aluminum materials for maximum resistance to corrosion and wear. 2.5" NH (65mm) rocker lug full-time swivel coupling is standard. Nozzle may be switched between standard 100 psi (7 bar) and low pressure.

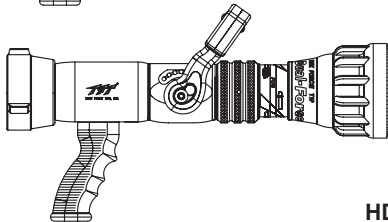
HDL-2V LOW PRESSURE VERSION. Same as HD-2V above, but operates at a lower pressure of approximately 75 psi (5 bar) / 45 psi (3bar). Flow capacity 95-250 gpm (360-950 l/min) @ 75 psi.
-IJ = 2.5" NPSH Threads

HD-2VPGI
HD-2VPGI-IJ
HDL-2VPGI
HDL-2VPGI-IJ
7.0 lb (3.1kg)
13-1/2" (34.3cm)



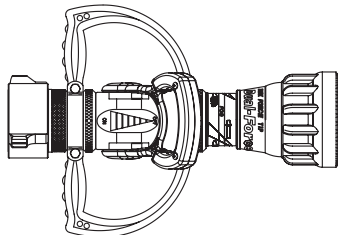
HD-2VPGI or HD-2VPG HANDLINE W/GRIP 2.5" NH (65mm) - Automatic pressure control with a flow capacity of 95-300 gpm (360-1150 l/min). Includes pressure-assisted flush without shutting down, patented slide-type valve for turbulence-free flow control, six detent flow positions, molded rubber teeth for full-fill "power fog", and "Gasket Grabber" inlet screen. Pistol grip is mounted below valve (HD-2VPGI), or behind the valve (HD-2VPG). Lightweight hardcoat anodized aluminum materials for maximum resistance to corrosion and wear. 2.5" NH (65mm) rocker lug full-time swivel coupling is standard. Nozzle may be switched between standard 100 psi (7 bar) and low pressure.

HD-2VPG
HD-2VPG-IJ
HDL-2VPG
HDL-2VPG-IJ
9.0 lb (4.1kg)
18.4" (46.7cm)



HDL-2VPGI or HD-2VPG LOW PRESSURE VERSION. Same as HD-2VPGI or HD-2VPG above, but operates at a lower pressure of approximately 75 psi (5 bar) / 45 psi (3bar). Flow capacity 95-250 gpm (360-950 l/min) @ 75 psi.
-IJ = 2.5" NPSH Threads

HD-2BLITZ
HD-2BLITZ-IJ
HDL-2BLITZ
HDL-2BLITZ-IJ
10.2 lb (4.6kg)
15-1/8" (38.4cm)


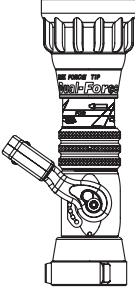
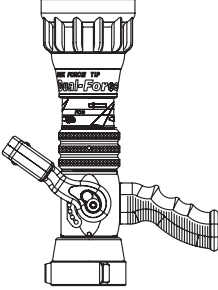
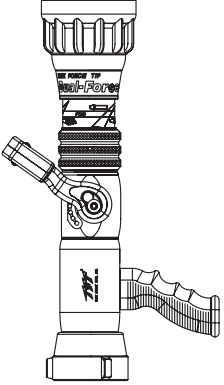


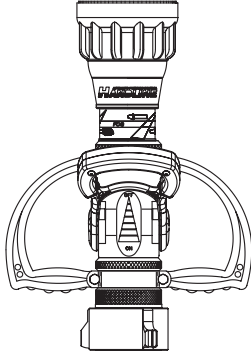
HD-2BLITZ DUAL-FORCE PLAYPIPE 2.5" NH (65mm) - Nozzle/playpipe combination available for use on 2.5" (65mm) or 3" (75mm) lines. Automatic 100 psi (7 bar) pressure control with a flow capacity of 95-300 gpm (360-1150 l/min). Includes pressure-assisted flush without shutting down, patented slide-type valve for turbulence-free flow control, six detent flow positions, molded rubber teeth for full-fill "power fog" pattern, and "Gasket Grabber" inlet screen. Lightweight hardcoat anodized aluminum materials for maximum resistance to corrosion and wear. Nozzle is attached to valve and is not removable. Rubber coated handles are designed to reduce fatigue. 2.5" NH (65mm) rocker lug full-time swivel coupling is standard. Nozzle may be switched between standard 100 psi (7 bar) and low pressure.

HDL-2BLITZ LOW PRESSURE VERSION. Same as HD-2BLITZ above, but operates at a lower pressure of approximately 75 psi (5 bar) / 45 psi (3bar). Flow capacity 95-250 gpm (360-950 l/min) @ 75 psi.
-IJ = 2.5" NPSH Threads

2.5" (65mm) DUAL FORCE SERIES
 95-300 GPM (360-1160 l/min)
 95-250 GPM (360-960 l/min) low pressure

FoamJet Models for Handline Series
FJ-H & FJ-HMX

2.5" Automatic Dual Pressure Nozzles					
	Nozzle Tip Only	Nozzle w/Shutoff	Nozzle w/Shutoff & Pistol Grip	Nozzle w/Shutoff Pistol Grip & Extended Body	
	100/55 psi 2.5" NH Threads	HD-2TO	HD-2V	HD-2VPGI	HD-2VPG
	100/55 psi 2.5" NPSH Threads	HD-2TO-IJ	HD-2V-IJ	HD-2VPGI-IJ	HD-2VPG-IJ
	75/45 psi 2.5" NH Threads	HDL-2TO	HDL-2V	HDL-2VPGI	HDL-2VPG
75/45 psi 2.5" NPSH Threads	HDL-2TO-IJ	HDL-2V-IJ	HDL-2VPGI-IJ	HDL-2VPG-IJ	

2.5" Automatic Dual Pressure Nozzles			
	100/55 psi 2.5" NH Threads		HD -2BLITZ
	100/55 psi 2.5" NPSH Threads		HD -2BLITZ-IJ
	75/45 psi 2.5" NH Threads		HDL-2BLITZ
75/45 psi 2.5" NPSH Threads	HDL-2BLITZ-IJ	Nozzle w/Shutoff & Playpipe Grip	