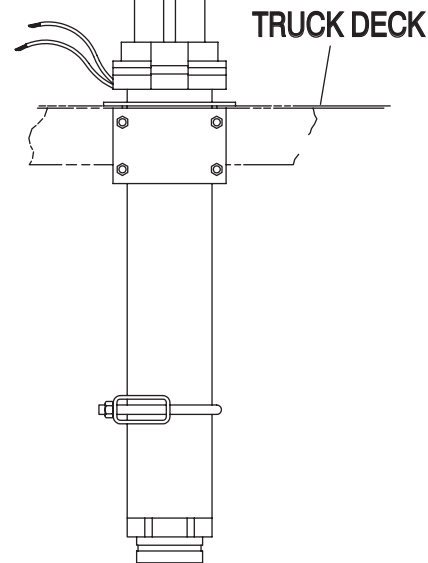
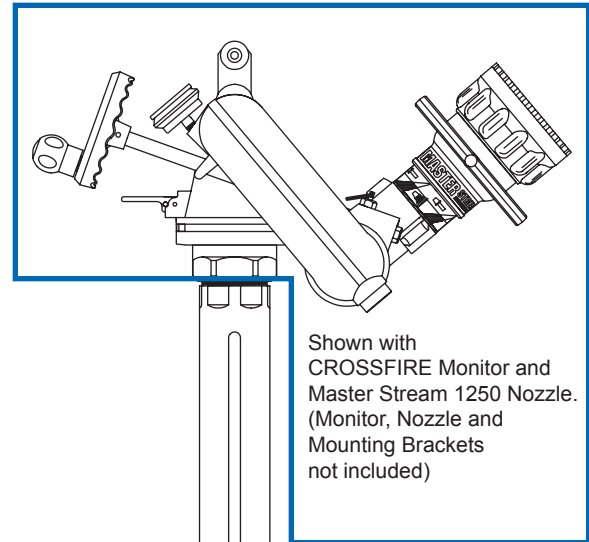
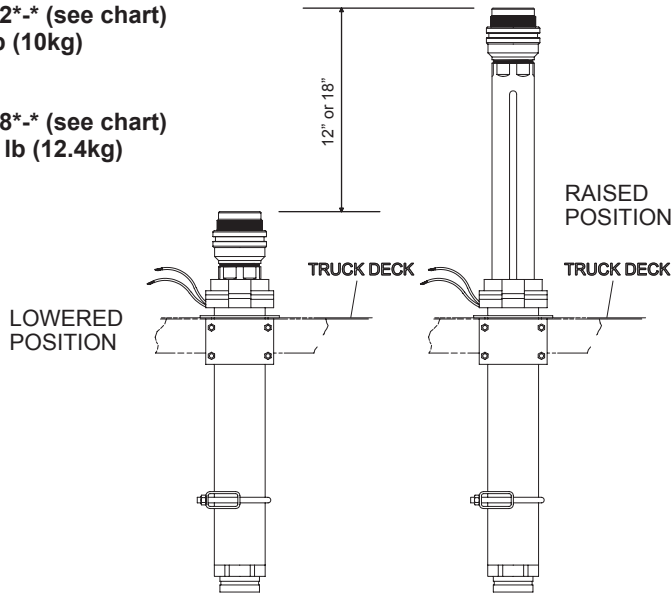


3" Manual Telescoping Waterway

The Extend-A-Gun provides new capabilities for your deck mounted Master Stream device. For storage, it can be lowered to deck level (or even into a monitor well). On the fire ground, the monitor may be raised to its extended position (12 or 18 extra inches)(30.5 or 45.7 extra cm) by lifting the quick release and raising by hand until the non-rotating pipe locks into position. This gives greater clearance of other equipment on the apparatus, greater freedom of movement and allows a more comfortable operating position. The Extend-A-Gun offers a full 3" (75mm) waterway, hardcoat anodized finish, and built-in sensor for connection to "monitor raised" light or truck open compartment warning. Can be specified with new, or retrofitted to existing apparatus.

XG12*-* (see chart)
22 lb (10kg)

XG18*-* (see chart)
27.4 lb (12.4kg)



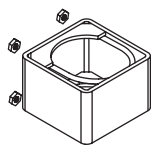
CROSSFIRE OUTLET: ONLY FITS CROSSFIRE MONITOR TOP			
INLET	MODEL#	EXTENSION	PRICE
3" TAPER PIPE MALE (75mm)	XG12PL-XL	12" (30.5cm)	
	XG18PL-XL	18" (45.7cm)	
3" VICTAULIC (75mm)	XG12VL-XL	12" (30.5cm)	
	XG18VL-XL	18" (45.7cm)	

OUTLET: 3" NPT (TAPER PIPE MALE) FITS ANY MONITOR TOP			
INLET	MODEL#	EXTENSION	PRICE
3" TAPER PIPE MALE (75mm)	XG12PL-PL	12" (30.5cm)	
	XG18PL-PL	18" (45.7cm)	
3" VICTAULIC (75mm)	XG12VL-PL	12" (30.5cm)	
	XG18VL-PL	18" (45.7cm)	

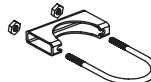
3" BRACKET SETS

For safe dependable service, the Extend-A-Gun MUST be securely mounted. To make the Extend-A-Gun as versatile as possible, three mounting bracket kits are offered. Each kit has a different upper bracket. The lower bracket is the same in all three.

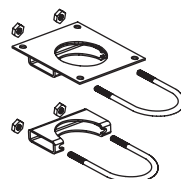
XGB-13
10.2 lbs (4.6kg)



XGB-13
TUBE/SADDLE

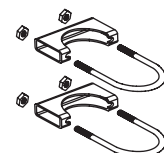


XGB-23
8.25 lbs (3.7kg)



XGB-23
PLATE/SADDLE

XGB-33
5 lbs (2.3kg)



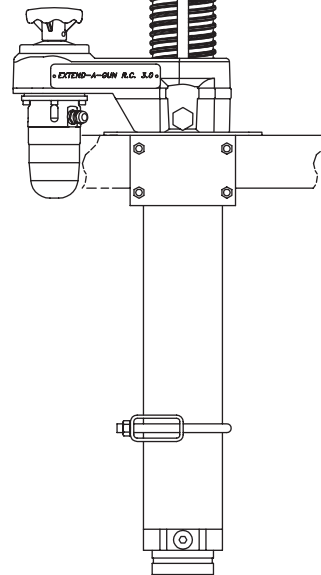
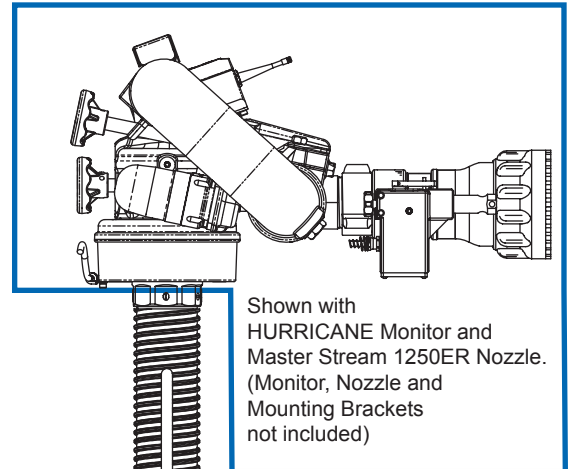
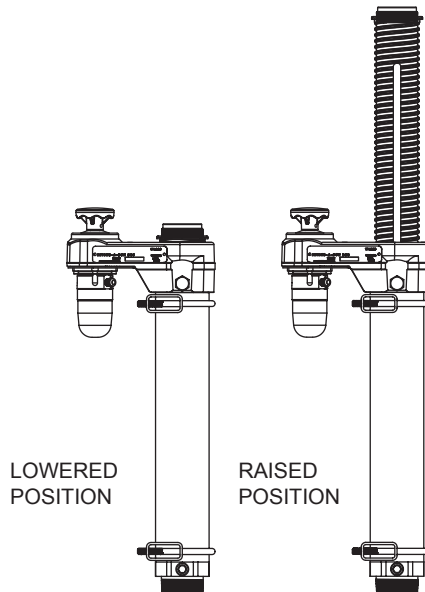
XGB-33
SADDLE/SADDLE

3" Remote Controlled Telescoping Waterway

The Extend-A-Gun RC3 lets you lower your deck mounted Master Stream device to deck level for storage (or even into a well). On the fire ground, the monitor can be automatically raised to its extended position (12 or 18 extra inches) (30.5 or 45.7 extra cm) with a simple push of a button. This gives greater clearance of other equipment on the apparatus, greater freedom of movement, and keeps firefighters off the top of the trucks, thus providing a safer operating position. The Extend-A-Gun RC3 offers a 3" (75mm) waterway, and hardcoat anodized aluminum finish. Built-in sensor for connection to "monitor raised" light or truck open compartment warning. 24VDC operation requires 24-12VDC converter. Connecting RC Extend-A-Gun motor control box to RC monitor communication link (blue & white wires) allows RC Extend-A-Gun operation from any monitor operator station equipped with AUX1 button or input. Can be specified with new or retrofitted to existing apparatus.

XGA32*-* (see chart)
12" Extend-A-Gun
26.6 lbs (12kg)

XGA38*-* (see chart)
18" Extend-A-Gun
32 lbs (14.5kg)



Control Panel
 (complete with 10 ft
 cable between
 panel and
 Extend-A-Gun RC3)

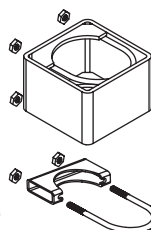
TFT CODE-RLM OUTLET*			
INLET	MODEL#	EXTENSION	PRICE
3" BSP (7.6cm)	XGA32BL-RL	12" (30.5cm)	
3" BSP (7.6cm)	XGA38BL-RL	18" (45.7cm)	
3" NPT (7.6cm)	XGA32PL-RL	12" (30.5cm)	
3" NPT (7.6cm)	XGA38PL-RL	18" (45.7cm)	
3" VICTAULIC	XGA32VL-RL	12" (30.5cm)	
3" VICTAULIC	XGA38VL-RL	18" (45.7cm)	

* Fits inlet of Tornado RC, Hurricane RC, Typhoon RC or Monsoon RC monitors with 3" connection code-RLF.

3" BRACKET SETS

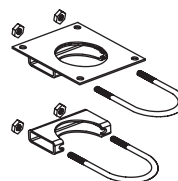
For safe dependable service, the Extend-A-Gun RC3 MUST be securely mounted. To make the Extend-A-Gun as versatile as possible, three mounting bracket kits are offered. Each kit has a different upper bracket. The lower bracket is the same in all three.

XGB-13
10.2 lbs (4.6kg)



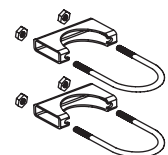
XGB-13
TUBE/SADDLE

XGB-23
8.25 lbs (3.7kg)



XGB-23
PLATE/SADDLE

XGB-33
5 lbs (2.3kg)

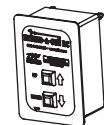
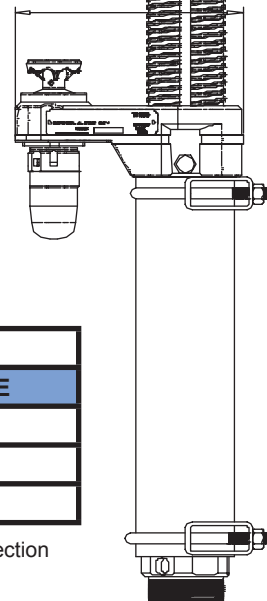
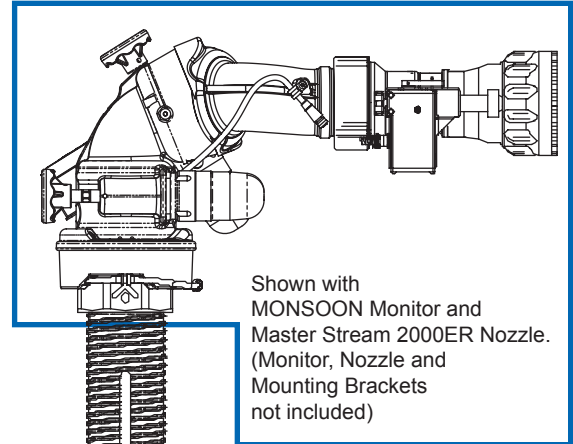
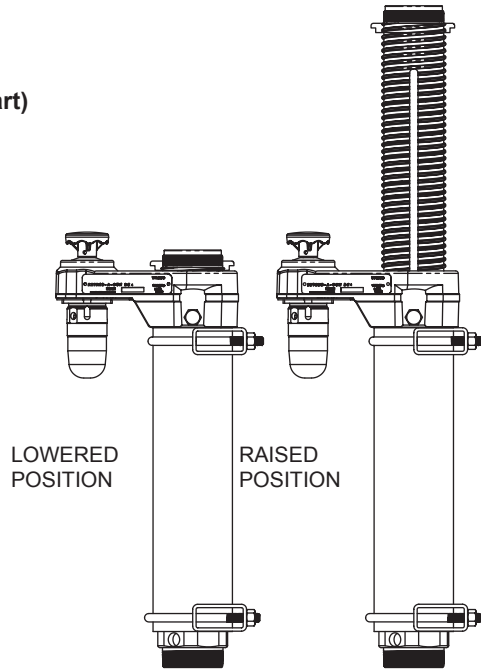


XGB-33
SADDLE/SADDLE

4" Remote Controlled Telescoping Waterway

The Extend-A-Gun RC4 lets you lower your deck mounted Master Stream device to deck level for storage (or even into a well). On the fire ground, the monitor can be automatically raised to its extended position (18 extra inches or 45.7 extra cm) with a simple push of a button. This gives greater clearance of other equipment on the apparatus, greater freedom of movement, and keeps firefighters off the top of the trucks, thus providing a safer operating position. The Extend-A-Gun RC4 offers a 4" (100mm) waterway, and hardcoat anodized aluminum finish. Built-in sensor for connection to "monitor raised" light or truck compartment operator warning system. 24VDC operation requires 24-12VDC converter. Connecting RC Extend-A-Gun motor control box to RC monitor communication link (blue & white wires) allows RC Extend-A-Gun operation from any monitor operator station equipped with AUX1 button or input. Can be specified with new or retrofitted to existing apparatus.

XGA48 (see chart)**
47 lbs (21.3 kg)



Control Panel
 (complete with 10 ft
 cable between
 panel and
 Extend-A-Gun RC4)

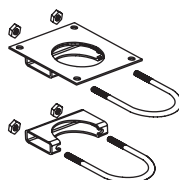
TFT CODE-RPM OUTLET*			
INLET	MODEL#	EXTENSION	PRICE
4" BSP (10cm)	XGA48BP-RP	18" (45.7cm)	
4" NPT (10cm)	XGA48PP-RP	18" (45.7cm)	
4" VICTAULIC	XGA48VP-RP	18" (45.7cm)	

* Fits inlet of Hurricane RC, Typhoon RC or Monsoon RC monitors with 4" connection code-RLF.

4" BRACKET SETS

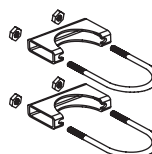
For safe dependable service, the Extend-A-Gun RC4 MUST be securely mounted. To make the Extend-A-Gun as versatile as possible, the 4" mounting brackets come in two styles. Each kit has a different upper bracket. The lower bracket is the same for both.

XGB-43
17.85 lbs (8.1kg)



XGB-43
PLATE/SADDLE

XGB-53
11.4 lbs (5.1kg)



XGB-53
SADDLE/SADDLE