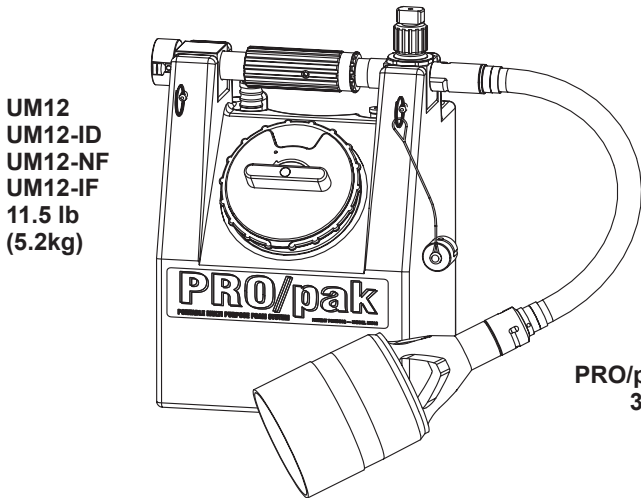


Portable Foam System

Everything you need is contained in one package that attaches to the end of your 1" (25mm) or 1.5" (38mm) fire hose. The PRO/pak has a high impact 2.5 gallon (9.5 l) foam reservoir with a built-in eductor that can be set to the ratio of foam or wetting agents being used. A large, easy-open fill port has an indicator to show the type of liquid in the tank. The flow is controlled by a twist grip valve/carrying handle. Select the discharge velocity that meets your needs for inlet pressures between 40 and 500 psi (3 to 34 bar). The nominal flow is 12 gpm at 100 psi (45 l/min @ 7 bar). A shoulder strap is included for extended operations. The PRO/pak Portable Foam System is supplied with three different quick connect nozzles, a discharge hose and a cap. The straight-stream nozzle gives maximum reach and penetration. The low-expansion nozzle works well with Class A and B foam solutions where reach is more important than expansion ratio. The medium-expansion nozzle produces dense foam that is best for vapor suppression and longevity. Use the PRO/pak when time is critical and you need a small blanket of foam. For example: With one tank of 1% concentrate the PRO/pak can make 15,000 gallons (56,775 l) of finished foam using 250 gallons (946 l) of water in 21 minutes, based on 60:1 expansion from the medium-expansion nozzle. High-impact engineering plastic with metallic components of hardcoat anodized aluminum and stainless steel.



UM12
UM12-ID
UM12-NF
UM12-IF
11.5 lb
(5.2kg)

MODEL	COUPLING	THREAD
UM12	1.0" (25mm)	NH
UM12-ID	1.0" (25mm)	NPSH
UM12-NF	1.5" (38mm)	NH (Angled Coupling)
UM12-IF	1.5" (38mm)	NPSH (Angled Coupling)

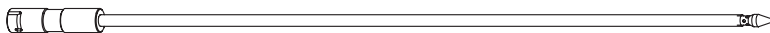
Consult factory for BSP threads, metric units, or alternative languages.

PRO/pak includes 2.7 ft. (82.3cm) hose,
3 nozzles and shoulder strap.
L 14.25" x W 11" x H 18"
(36.2 x 27.9 x 45.7cm)



1.5" (38mm)
 Angled Coupling

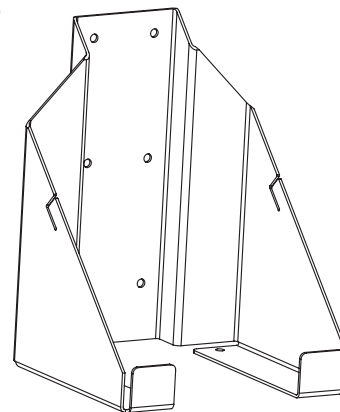
U-PN12
3.1 lb (1.4kg)
42" (106.7cm)



U-PN12 PRO/pak PIERCING NOZZLE — Six jets distribute the flow in a 360° pattern. Foam expansion is negligible. Flow rate is 12 gpm at 100 psi (45 l/min @ 7 bar) inlet pressure to the PRO/pak. The nozzle is 42" (106.7cm) long with a quick-connect coupling.

U-B
4.7 lb (2.7kg)

U-B PRO/PAK STORAGE BRACKET — is used to mount to horizontal or vertical surfaces. Adjustable quick release storage strap included. 12" x 11.5" x 14.75" (30.5 x 29.2 x 37.5cm)

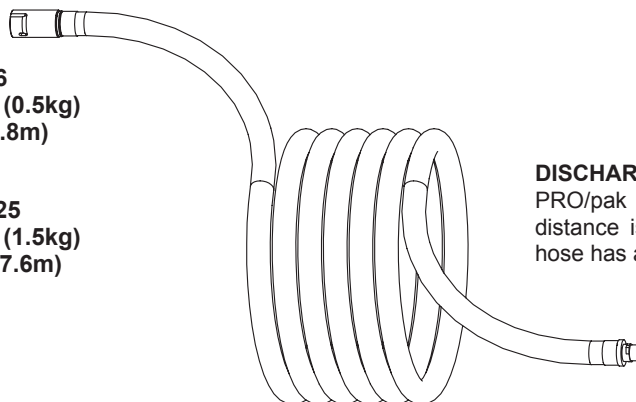


U-HS
0.6 lb (0.3kg)
2.7 ft (0.8m)

U-HS6
1.1 lb (0.5kg)
6 ft (1.8m)

U-HS12
2.0 lb (0.9kg)
12 ft (3.7m)

U-HS25
3.3 lb (1.5kg)
25 ft (7.6m)



DISCHARGE HOSE — for adding length between the PRO/pak and the nozzle for maneuverability. Maximum distance is 25 feet (7.6m). Quick connect 3/4" (19mm) hose has a 300 psi (21 bar) pressure rating.

U-STRAP

WAIST STRAP adjustable 1-1/2" (38mm) wide waist strap helps keep the PRO/pak at your side.