

# 1.5" (38mm) QUADRACUP® SERIES

30, 60, 95 & 125 GPM (110, 230, 360 & 470 l/min)

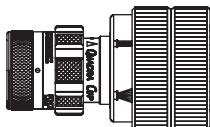
Selectable Gallonage

The QuadraCup is a rugged and dependable selectable gallonage nozzle with a retractable foam aspiration sleeve. When the outer sleeve is in the retracted position, the nozzle operates the same as the TFT QuadraFog. Flow can be set to any one of four flow settings, or to a flush mode. The front end can be rotated from straight stream through wide fog patterns. Uniquely cut fixed metal fog teeth produce a wide range of fog patterns.

To use the aspirating feature of the nozzle, the nozzle operator slides the outer sleeve forward, and by adjusting the pattern, has control of reach and aspiration. If an immediate wide fog pattern is needed, the sleeve can be retracted instantly to its regular position.

Available in either tip-only configuration or with a stainless ball shutoff, the QuadraCup is also available with an optional colored pistol grip. Metric calibrations available: 110-230-360-470 l/min @ 7 bar - consult factory for model numbers

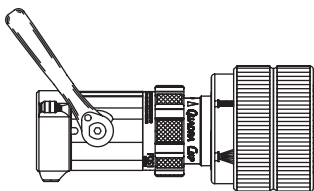
**FQ125BC**  
**FQ125BC-IF**  
**FQ125BCL**  
**FQ125BCL-IF**  
1.7 lb. (0.7kg)  
5" - 7-1/2"  
(12.7-19.1cm)



**FQ125BC** QUADRACUP TIP 1.5" NH (38mm) - Selectable gallonage nozzle with four flow settings of 30, 60, 95, and 125 gpm @ 100 psi (110, 230, 360 and 470 l/min @ 7 bar). All lightweight materials, hardcoat anodized aluminum. Flush without shutting down. This tip-only design has an "off" position for break-and-extend operations. 1.5" NH (38mm) rigid thread is standard.

**FQ125BCL** LOW PRESSURE VERSION - Same as FQ125BC but operates at a lower pressure 75 psi (5bar).  
**-IF = 1.5" NPSH Threads**

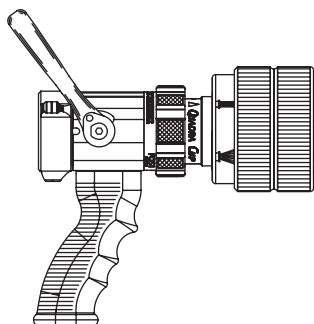
**FQS125BC**  
**FQS125BC-IF**  
**FQS125BCL**  
**FQS125BCL-IF**  
3.0 lb. (1.3kg)  
7-1/4" - 9-3/4"  
(18.4-24.8cm)



**FQS125BC** QUADRACUP NOZZLE 1.5" NH (38mm) - Selectable gallonage nozzle with four flow settings of 30, 60, 95, and 125 gpm @ 100 psi (110, 230, 360 and 470 l/min @ 7 bar). All lightweight materials, hardcoat anodized aluminum. Flush without shutting down. Quick-change rear valve seat and stainless steel shut-off ball. Rocker lug 1.5" NH (38mm) swivel is standard.

**FQS125BCL** LOW PRESSURE VERSION - Same as FQS125BC but operates at a lower pressure 75 psi (5bar).  
**-IF = 1.5" NPSH Threads**

**FQS125BCP**  
**FQS125BCP-IF**  
**FQS125BCPL**  
**FQS125BCPLIF**  
3.2 lb. (1.5kg)  
7-1/4" - 9-3/4"  
(18.4-24.8cm)


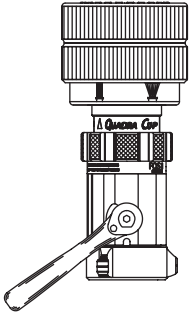
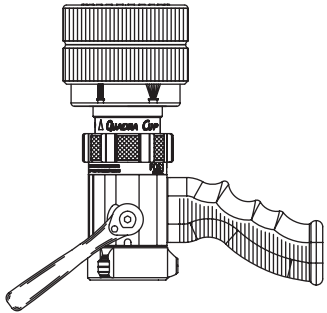


**FQS125BCP** QUADRACUP W/GRIP 1.5" NH (38mm) - Selectable gallonage nozzle with four flow settings of 30, 60, 95, and 125 gpm @ 100 psi (110, 230, 360 and 470 l/min @ 7 bar). All lightweight materials, hardcoat anodized aluminum. Flush without shutting down. Quick-change rear valve seat and stainless steel shut-off ball. Pistol grip is mounted below the valve. Rocker lug 1.5" NH (38mm) swivel is standard.

**FQS125BCPL** LOW PRESSURE VERSION - Same as FQS125BCP but operates at a lower pressure 75 psi (5bar).  
**-IF = 1.5" NPSH Threads**

1.5" (38mm) QUADRACUP® SERIES

30, 60, 95 & 125 GPM (110, 230, 360 & 470 l/min)

<p><b>Dual Gallonage 1.5" Foam Nozzles</b></p>	 <p>Nozzle Tip Only</p>	 <p>Nozzle w/Shutoff</p>	 <p>Nozzle w/Shutoff &amp; Pistol Grip</p>
<p>100 psi NH Threads</p>	<p>FQ125BC</p>	<p>FQS125BC</p>	<p>FQS125BCP</p>
<p>100 psi NPSH Threads</p>	<p>FQ125BC-IF</p>	<p>FQS125BC-IF</p>	<p>FQS125BCP-IF</p>
<p>75 psi NH Threads</p>	<p>FQ125BCL</p>	<p>FQS125BCL</p>	<p>FQS125BCPL</p>
<p>75 psi NPSH Threads</p>	<p>FQ125BCL-IF</p>	<p>FQS125BCL-IF</p>	<p>FQS125BCPLIF</p>