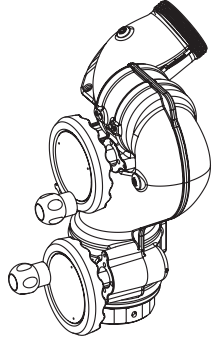


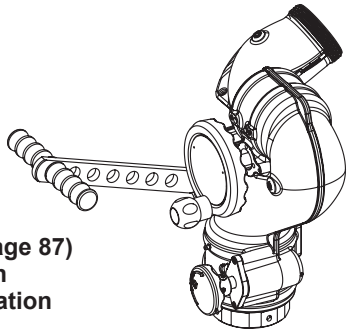
Manually Controlled 1500 GPM Monitor

The Typhoon Monitor is a manually operated monitor designed for flows up to 1500 gpm (6000 l/min). Maximum operating pressure is 200 psi (14 bar). Waterway with turning vane has only 19 psi (1.3 bar) loss at 1500 gpm (6000 l/min). Available with various inlet flanges and threaded fittings. Inlet also made for direct connection to TFT's Extend-A-Gun or Extend-A-Gun RC3 or RC4. See chart on next page for model numbers. Main waterway made from hardcoat anodized ANSI 356-T6 aluminum. Silver powder coat finish inside and out. Standard outlet is 3.5"NH (90 mm) male thread. Other outlets available.

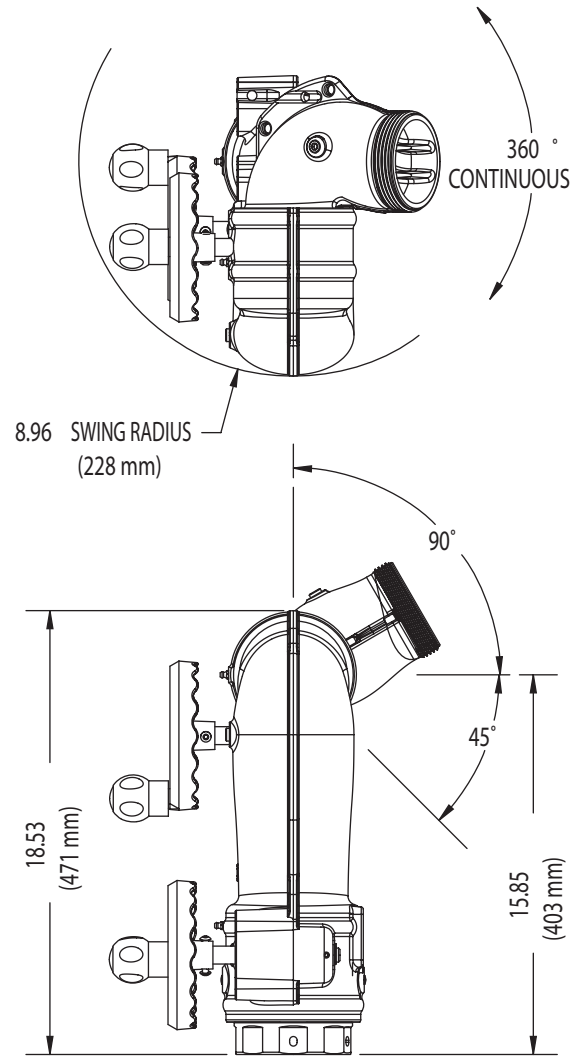
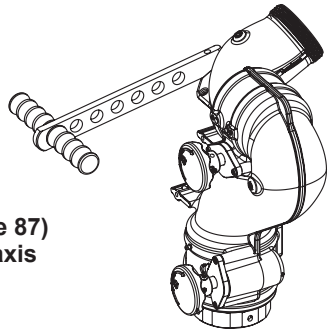
Y5DA** (see chart on page 87)
Dual Handwheels
22 lb (10kg)



Y5MA** (see chart on page 87)
Handwheel for Elevation
Tiller for Horizontal Rotation
23 lb (10.4kg)



Y5TA** (see chart on page 87)
Tiller with locks on both axis
23 lb (10.4kg)



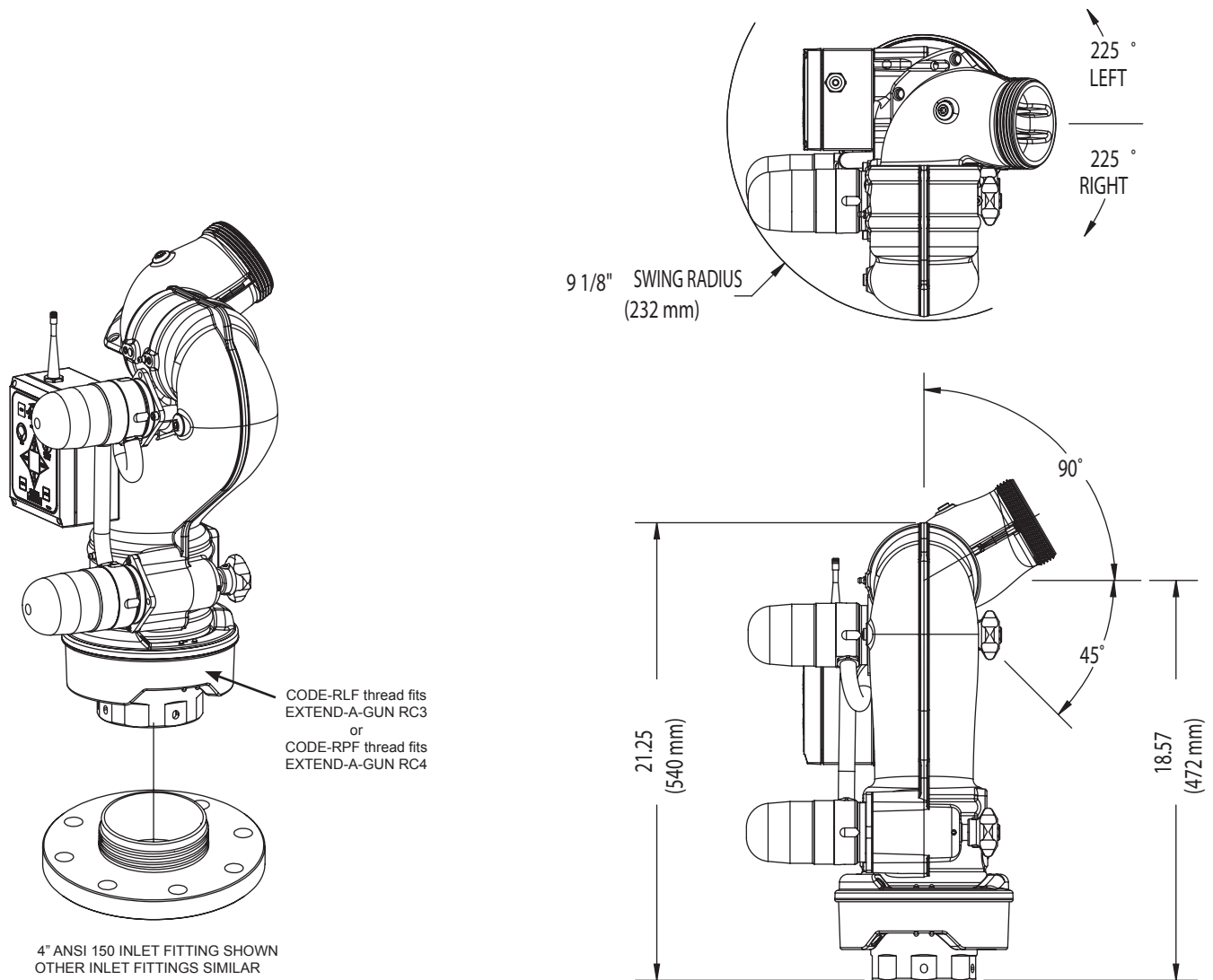
Shown with Dual Handwheels
and without Inlet Fitting

FLANGE SPECIFICATIONS					
FITS FLANGE	OUTSIDE DIAMETER	THICKNESS	BOLT HOLE CIRCLE	NUMBER OF BOLTS	SIZE OF BOLTS
3" ANSI 125/150 DN80 PN20	7.50" 190 mm	0.75" 20 mm	6.00" 152.5 mm	4 4	5/8" M16
4" ANSI 150 DN100 PN20	9.00" 230 mm	0.94" 23 mm	7.50" 190.5 mm	8 8	5/8" M16
DN80 PN16	200 mm	22 mm	160 mm	8	16 mm
DN100 PN16	220 mm	22 mm	180 mm	8	16 mm

When ordering a Typhoon monitor, choose one option from each category on page 87. For example Model Y5-M21A is a manual elevation handwheel, horizontal tiller aluminum monitor with 4" ANSI 150 flange inlet and 3.5" NH male threaded outlet. For assistance in ordering, please call 1-800-348-2686 and speak to a monitor specialist.

Remote Controlled 1500 GPM Deck Monitor Designed for Pumper Applications

The Typhoon RC is an electrically operated monitor for flows up to 1500 gpm (6000 l/min). Maximum operating pressure is 200 psi (14 bar). Waterway with turning vane has only 19 psi (1.3 bar) loss at 1500 gpm (6000 l/min). Designed for 12 VDC or 24 VDC operation, selection is automatic. The Typhoon RC comes with a factory installed control panel mounted to the monitor for controlling horizontal rotation, elevation, nozzle pattern, and programmable PARK and Oscillate. See Pages 110-111 for additional control stations. The motor controls use position encoders and current limiting to protect the drive train at ends of travel. Knobs are installed so the monitor may be manually operated in the event of a power failure. Field changeable stops for horizontal travel at 45, 90, and 135 degrees either side of a center position. Horizontal travel without stops is 225 degree left and right (450 degree total). Available with various inlet flanges and threaded fittings. Inlet also made for direct connection to TFT's electric Extend-A-Gun RC3 or RC4. Main waterway made from hardcoat anodized ANSI 356-T6 aluminum. Silver powder coat finish inside and out. Standard outlet is 3.5"NH (90 mm) male thread. Other outlets available. RC Monitor delivered with wireless antenna installed. For wireless operation, purchase wireless operator station package on page 110.



Y5-E**A
Electric
37.25 lbs (16.89 kg)

See pages 62, 64, and 66 for nozzle choices.

Y5-

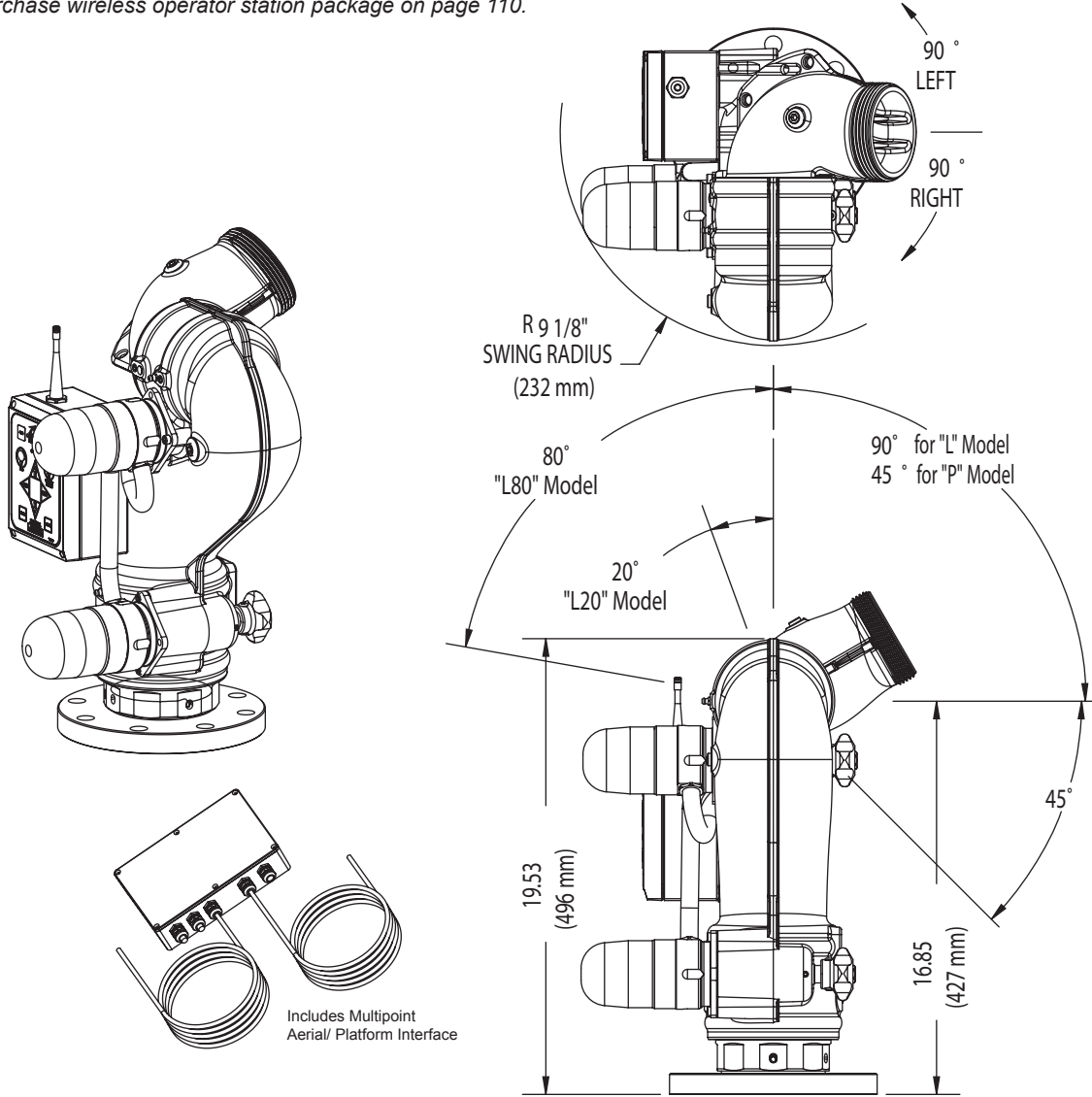
			A
Actuation	Inlet		Outlet
E) Electric	1) 3" ANSI 150	7) 4" NPT Female	1) 3.5"-6 NH Male
D) Dual Handwheel	2) 4" ANSI 150	8) 3" BSP Male	2) 3.5"-11 BSP Male
M) Elevation Handwheel	3) 6" ANSI 150	9) 4" BSP Male	3) 3.5"-8 NPSH Male
Horizontal Tiller	4) DN80, PN16	L) TFT CODE-RLF*	4) 4.0"-11 BSP Male
T) Tiller Both Axis	5) DN100, PN16	P) TFT CODE-RPF*	9) Special
	6) 3" NPT Female		

*TFT CODE-RLF Fits Extend-A-Gun RC3

*TFT CODE-RPF Fits Extend-A-Gun RC4

Remote Controlled 1500 GPM Monitor Designed for Ladder and Tower Applications

The Typhoon RC for Ladder or Platform installations is similar to the standard Typhoon RC. This model has the horizontal travel limited to 90 degrees left and right (180 degrees total). Various models are available with different elevation ranges –see the figure and table below for details. Ladder and Platform models include an electronics enclosure and 10' of cable to connect signals from the primary control station (such as the turntable toggle switches). These signals can either be hard wired or from a Canbus output module. The Platform model's electronics enclosure contains an additional 10' cable to connect signals from a secondary control station (such as from basket toggle switches). The primary control signals will always override any signals from the secondary control or the monitor operator station. The electronics enclosure is factory configured to accept +12/24 VDC signals, but can be reconfigured in the field to accept ground signals. This electronics enclosure also includes a relay to indicate when the monitor is in the PARK position and contacts that can be connected to the Canbus or multiplex system. A monitor mounted control panel allows vertical, horizontal, and nozzle pattern adjustments and programmable PARK and Oscillate. See pages 110 - 111 for additional control stations. RC Monitor delivered with wireless antenna installed. For wireless operation, purchase wireless operator station package on page 110.



Y5-E**A*
37.25 lbs (16.89 kg)



Y5-E

Inlet 1) 3" ANSI 150 2) 4" ANSI 150 3) 6" ANSI 150 4) DN80, PN16 5) DN100, PN16 6) 3" NPT Female		7) 4" NPT Female 8) 3" BSP Male 9) 4" BSP Male L) TFT CODE-RLF P) TFT CODE-RPF		Outlet 1) 3.5"-6 NH Male 2) 3.5"-11 BSP Male 3) 3.5"-8 NPSH Male 4) 4.0"-11 BSP Male 9) Special	
---	--	--	--	---	--

A

Configuration -L) Ladder -P) Platform -L20) Ladder w/20° Extra Elevation -L80) Platform w/80° Extra Elevation
