



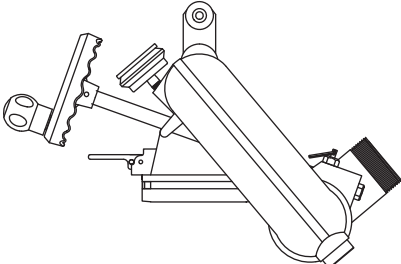
## Pumper Combination Package Crossfire & Extend-A-Gun

XFC-71

# \$3470.00

XFC-71 PACKAGE CONTAINS:  
CROSSFIRE Monitor Top  
Your Choice of Manual Extend-A-Gun  
Your Choice of Mounting Bracket Set

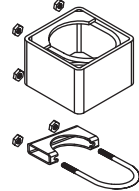
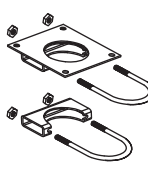
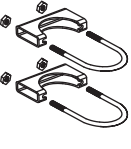
**CROSSFIRE TOP INCLUDED**



**XFT-NJ — 2.5"NH Outlet**  
Monitor Top  
1250 gpm (4500 l/min)

**3" BRACKET SET CHOICE** Choose One Option

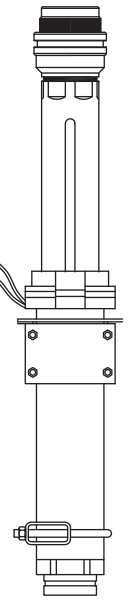
*For safe dependable service, the Extend-A-Gun MUST be securely mounted. To make the Extend-A-Gun as versatile as possible, three mounting bracket kits are offered.*

<input type="checkbox"/>		<input type="checkbox"/>		<input type="checkbox"/>	
<b>XGB-13</b>		<b>XGB-23</b>		<b>XGB-33</b>	
TUBE/ SADDLE		PLATE/ SADDLE		SADDLE/ SADDLE	

**CHOICE OF EXTEND-A-GUN**

Choose One Option

<input type="checkbox"/>	<b>XG12PL-XL</b> 3" Tapered Pipe Male 12" Extended Position
<input type="checkbox"/>	<b>XG12VL-XL</b> 3" Victaulic (75mm) 12" Extended Position
<input type="checkbox"/>	<b>XG18PL-XL</b> 3" Tapered Pipe Male 18" Extended Position
<input type="checkbox"/>	<b>XG18VL-XL</b> 3" Victaulic (75mm) 18" Extended Position



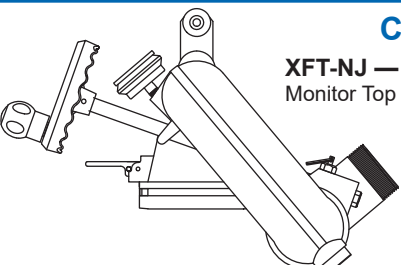

## Pumper Combination Package Crossfire & Extend-A-Gun

XFC-72

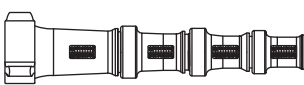
# \$4005.00

XFC-72 PACKAGE CONTAINS:  
CROSSFIRE Monitor Top  
Quad Stack Tips  
Your Choice of Stream Straightener  
Your Choice of Manual Extend-A-Gun  
Your Choice of Mounting Bracket Set

**CROSSFIRE TOP & QUAD TIPS INCLUDED**



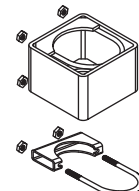
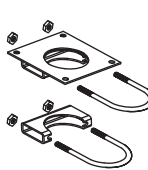
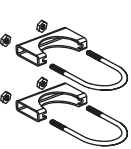
**XFT-NJ — 2.5"NH Outlet**  
Monitor Top 1250 gpm (4500 l/min)



**MST-4NJ — 2.5"NH**  
4 Stacked Tips Laser Engraved Flow Charts

**3" BRACKET SET CHOICE** Choose One Option

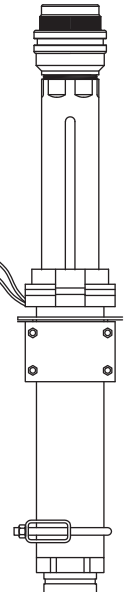
*For safe dependable service, the Extend-A-Gun MUST be securely mounted. To make the Extend-A-Gun as versatile as possible, three mounting bracket kits are offered.*

<input type="checkbox"/>		<input type="checkbox"/>		<input type="checkbox"/>	
<b>XGB-13</b>		<b>XGB-23</b>		<b>XGB-33</b>	
TUBE/ SADDLE		PLATE/ SADDLE		SADDLE/ SADDLE	

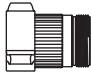

**CHOICE OF EXTEND-A-GUN**

Choose One Option

<input type="checkbox"/>	<b>XG12PL-XL</b> 3" Tapered Pipe Male 12" Extended Position
<input type="checkbox"/>	<b>XG12VL-XL</b> 3" Victaulic (75mm) 12" Extended Position
<input type="checkbox"/>	<b>XG18PL-XL</b> 3" Tapered Pipe Male 18" Extended Position
<input type="checkbox"/>	<b>XG18VL-XL</b> 3" Victaulic (75mm) 18" Extended Position



**CHOICE OF STREAM STRAIGHTENER** Choose One Option

	
<input type="checkbox"/>	<input type="checkbox"/>
<b>XF-SS5</b> 5" 2.5" NH	<b>XF-SS10</b> 10" 2.5" NH

OEM INSTALLED COMPONENTS