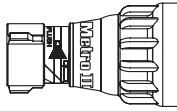


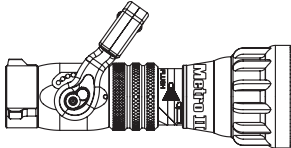
METRO 2 Series Fixed gallonage nozzle with 10 flow and pressure choices. Delivered with the 250 gpm @ 50 psi (950 l/min @ 3 bar) calibrated flow disk installed. Lightweight hardcoat anodized aluminum for maximum resistance to corrosion and wear. All Metro 2's are available in tip only configuration, or with ball shut-off, and optional colored pistol grips and handle covers. The Metro 2 accepts either the FJ-H low-expansion or FJ-HMX multi-expansion foam attachments.

**ME2-TO**  
**ME2-TO-IF**  
3.8 lb (1.7kg)  
7.6" (19.3cm)



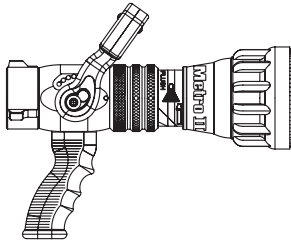
**ME2-TO** - METRO 2 TIP 1.5" NH - Fixed gallonage nozzle for use with separate valve or valved playpipe. Fixed flow tip with 10 flow and pressure choices. The METRO 2 includes a pressure-assisted flush without shutting down, molded rubber teeth for full-fill "power fog" pattern. Lightweight hardcoat anodized aluminum for maximum resistance to corrosion and wear. Tip does not shut off and must be used with a separate valve or valved playpipe. 1.5" NH (38mm) rigid rocker lug coupling is standard. **-IF = 1.5" NPSH Threads**

**ME2-V**  
**ME2-V-IF**  
6.3 lb (2.9kg)  
12.7" (32.3cm)



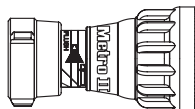
**ME2-V** - METRO 2 NOZZLE 1.5" NH - Fixed gallonage nozzle with 10 flow and pressure choices. The METRO 2 includes a pressure-assisted flush without shutting down, ball valve shut-off and molded rubber teeth for full-fill "power fog" pattern. Lightweight hardcoat anodized aluminum for maximum resistance to corrosion and wear. 1.5" NH (38mm) full-time swivel rocker lug coupling is standard. **-IF = 1.5" NPSH Threads**

**ME2-VPGI**  
**ME2-VPGI-IF**  
6.6 lb (2.9kg)  
12.7" (32.3cm)



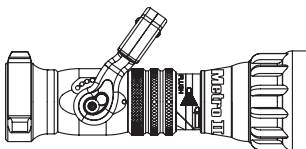
**ME2-VPGI** - METRO 2 W/GRIP 1.5" NH - Fixed gallonage nozzle with 10 flow and pressure choices. The METRO 2 includes a pressure-assisted flush without shutting down, ball valve shut-off and molded rubber teeth for full-fill "power fog" pattern. Lightweight hardcoat anodized aluminum for maximum resistance to corrosion and wear. Pistol grip is mounted below the valve. 1.5" NH (38mm) full-time swivel rocker lug coupling is standard. **-IF = 1.5" NPSH Threads**

**ME2-2TO**  
**ME2-2TO-IJ**  
4.2 lb (1.9kg)  
8.3" (21.1cm)



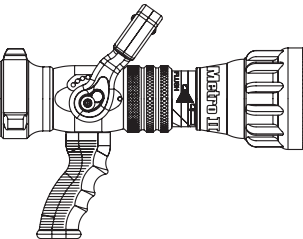
**ME2-2TO** - METRO 2 TIP 2.5" NH - Fixed gallonage nozzle for use with separate valve or valved playpipe. Fixed flow tip with 10 flow and pressure choices. The METRO 2 includes a pressure-assisted flush without shutting down, molded rubber teeth for full-fill "power fog" pattern. Lightweight hardcoat anodized aluminum for maximum resistance to corrosion and wear. Tip does not shut off and must be used with a separate valve or valved playpipe. 2.5" NH (65mm) rigid rocker lug coupling is standard. **-IJ = 1.5" NPSH Threads**

**ME2-2V**  
**ME2-2V-IJ**  
6.8 lb (3.1kg)  
13.6" (34.5cm)



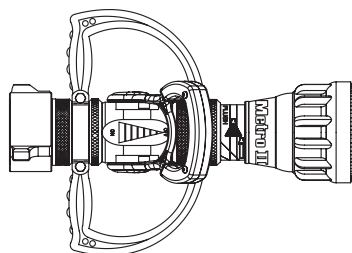
**ME2-2V** - METRO 2 NOZZLE 2.5" NH - Fixed gallonage nozzle with 10 flow and pressure choices. The METRO 2 includes a pressure-assisted flush without shutting down, ball valve shut-off and molded rubber teeth for full-fill "power fog" pattern. Lightweight hardcoat anodized aluminum for maximum resistance to corrosion and wear. 2.5" NH (65mm) full-time swivel rocker lug coupling is standard. **-IJ = 1.5" NPSH Threads**

**ME2-2VPGI**  
**ME2-2VPGI-IJ**  
7.0 lb (3.2kg)  
13.6" (34.5cm)



**ME2-2VPGI** - METRO 2 W/GRIP 2.5" NH - Fixed gallonage nozzle with 10 flow and pressure choices. The METRO 2 includes a pressure-assisted flush without shutting down, ball valve shut-off and molded rubber teeth for full-fill "power fog" pattern. Lightweight hardcoat anodized aluminum for maximum resistance to corrosion and wear. Pistol grip is mounted below the valve. 2.5" NH (65mm) full-time swivel rocker lug coupling is standard. **-IJ = 1.5" NPSH Threads**

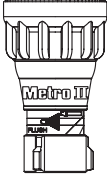
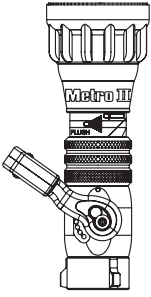
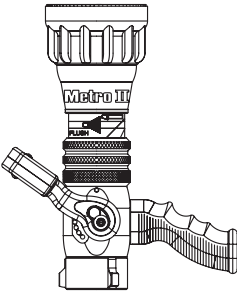
**ME2-BLITZ**  
**ME2-BLITZ-IJ**  
9.7 lb (4.4kg)  
15.5" (39.4cm)



**ME2-BLITZ** - METRO 2 PLAYPIPE 2.5"NH - Fixed gallonage nozzle / playpipe combination with ball valve shut-off. Fixed flow tip with 10 flow and pressure choices. The METRO 2 includes a pressure-assisted flush without shutting down, molded rubber teeth for full-fill "power fog" pattern. Lightweight hardcoat anodized aluminum for maximum resistance to corrosion and wear. Nozzle is attached to valve and is not removable. Rubber coated handles are designed to reduce fatigue. 2.5" NH (65mm) full-time swivel rocker lug coupling is standard. **-IJ = 1.5" NPSH Threads**

1.5" (38mm) METRO 2 SERIES  
Fixed Gallonage

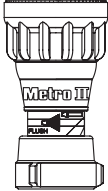
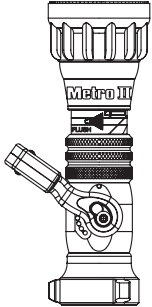
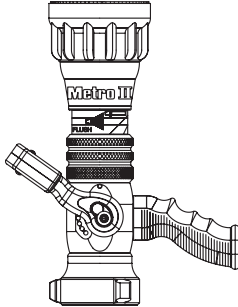
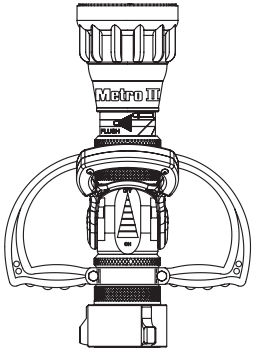
FoamJet Models for METRO 2 Series  
FJ-HM & FJ-HMX

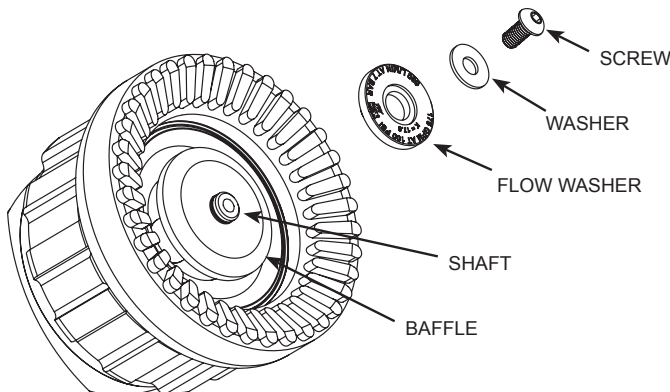
<b>1.5" Fixed Gallonage Nozzles With 10 Flow and Pressure Choices</b>				
	Nozzle Tip Only	Nozzle w/ Shutoff	Nozzle w/Shutoff & Pistol Grip	
	100 psi NH Threads Fixed Teeth	ME2-TO	ME2-V	ME2-VPGI
	100 psi NPSH Threads Fixed Teeth	ME2-TO-IF	ME2-V-IF	ME2-VPGI-IF

The nozzle package includes these calibrated flow discs.

100 psi 7 bar	75 psi 5 bar	50psi 3 bar
325 gpm 1230 l/min		
250 gpm 950 l/min	250 gpm 950 l/min	250 gpm 950 l/min
	200 gpm 750 l/min	
	185 gpm 700 l/min	185 gpm 700 l/min
175 gpm 660 l/min		
	125 gpm 475 l/min	
95 gpm 360 l/min		

2.5" (65mm) METRO 2 SERIES  
Fixed Gallonage

<b>2.5" Fixed Gallonage Nozzles With 10 Flow and Pressure Choices</b>					
	Nozzle Tip Only	Nozzle w/Shutoff	Nozzle w/Shutoff & Pistol Grip	Nozzle w/Shutoff & Playpipe Grip	
	100 psi NH Threads Fixed Teeth	ME2-2TO	ME2-2V	ME2-2VPGI	ME2-BLITZ
	100 psi NPSH Threads Fixed Teeth	ME2-2TO-IJ	ME2-2V-IJ	ME2-2VPGI-IJ	ME2-BLITZ-IJ



The flow washers are marked with various flow settings. Change flow washer to the desired setting. The nozzle will flow the indicated amount when the pressure at the nozzle is at the indicated level.